



Quick Detach Saddlebag Brackets

KEY CODE NUMBER _____
(Save this number for future key identification)

Applications Model HRT-R1DB Rev 11/19/15

Harley Davidson Heritage Softail - 1999 and older. Used with detachable backrest system (purchased separately)

Before you begin, read and understand these instructions and check to be sure all parts are accounted for.

<u>Qty.</u>	<u>Part Description</u>
2	Easy Brackets (ID number 20, stamped on brackets)
4	Docking Post
4	3/8 Polished SS Button Head Bolt
4	3/8 x 1 1/2 Black Button Head Bolt
4	3/8 x 3/4 Black Button Head Bolt
4	Large Spacer
12	3/8 Nylon Locking Nut
8	3/8 Fender Washers
2	Key

Installation Instructions After installation of the detachable backrest hardware (not provided), proceed to item 1.

1. Start on the RH side of the motorcycle. Remove the saddlebag from the motorcycle. Remove all existing mounting hardware from the saddlebag.
2. Using the 3/8 polished SS button head bolts and 3/8 nylon locking nuts provided, replace the detachable backrest bolts and attach the docking posts to the outside of the detachable backrest hardware. **Note:** Remove and replace (1) bolt at a time to avoid movement of the detachable backrest hardware. Torque to 12 ft. lbs.
3. Repeat steps 1, and 2 on the LH side of the fender.
4. Install the EASY BRACKETS on the docking posts to verify proper fit. **Note:** Use the key provided to open the cam lock prior to installation on the docking posts. The key can not be removed until the cam lock is fully engaged under the docking post.
5. Remove the EASY BRACKET from the motorcycle. Hold the bracket up to the saddlebag. The top of the bracket is to be located under the top edge of the saddlebag. Mark the four mounting holes and drill the holes for mounting. **Note:** The holes must be drilled to allow for the large spacers to be placed between the bracket and the back of the saddlebag.
6. Attach the bracket to the saddlebag using the (2) 3/8" x 1 1/2" black button head bolts with the (2) large spacers at the top of the bracket, the spacers are between the bracket and the saddlebag, and the (2) 3/8 x 3/4 black button head bolts at the bottom of the bracket. The (4) 3/8 fender washers and (4) 3/8 Nylon locking nuts are installed on the inside of the saddlebag (**All 4 mounting points MUST be utilized**). Install the completed RH saddlebag with EASY BRACKET on the motorcycle. **Note: The cam lock must be fully engaged and the key removed to ensure the EASY BRACKETS are properly installed and ready for use.**
7. Repeat steps 4, 5, and 6 on the LH side of the fender.

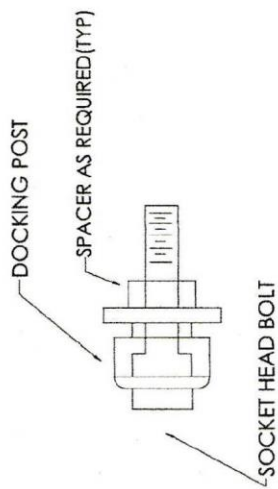
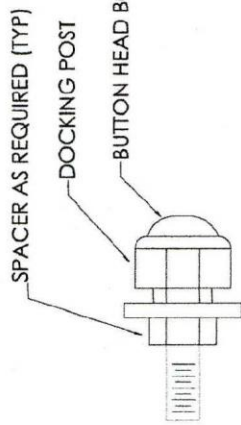
Notice to Consumer

Do NOT exceed 15 lbs. of total weight on the EASY BRACKET saddlebag removal system.

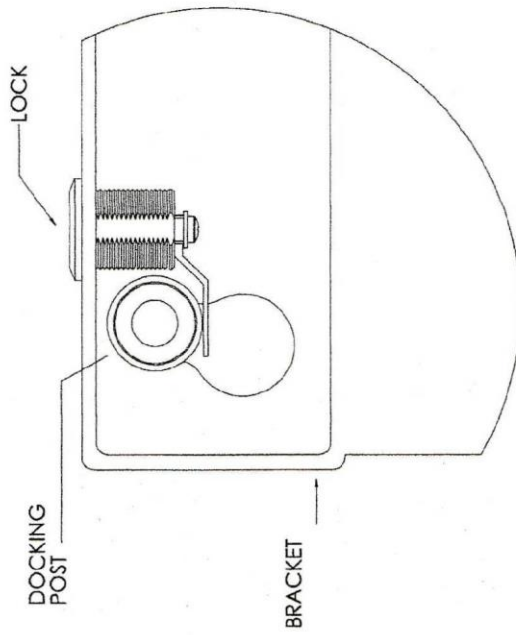
Neither the manufacturer nor the distributor or retailer of the EASY BRACKETS makes any express warranties of any kind with respect to the EASY BRACKETS. Any implied warranty does not cover defects caused by modification or alterations of the EASY BRACKETS or caused by physical abuse to or misuse of the EASY BRACKETS or its use and/or operation in a manner contrary to the accompanying instructions. Failure to install and/or use the EASY BRACKETS in the manner described by the accompanying instructions shall render all warranties, expressed and/or implied, void and release the manufacturer, distributor and retailer from any and all liability arising from the use of the EASY BRACKETS.

**For product support, damaged or missing parts, please contact Great Bike Gear at 866-521-3024
Do not return product without prior authorization.**

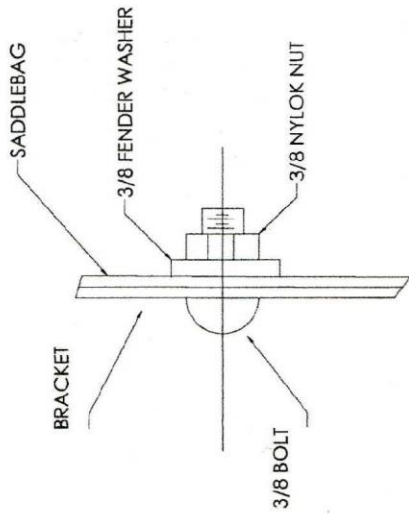
SEE REVERSE SIDE FOR ILLUSTRATIONS



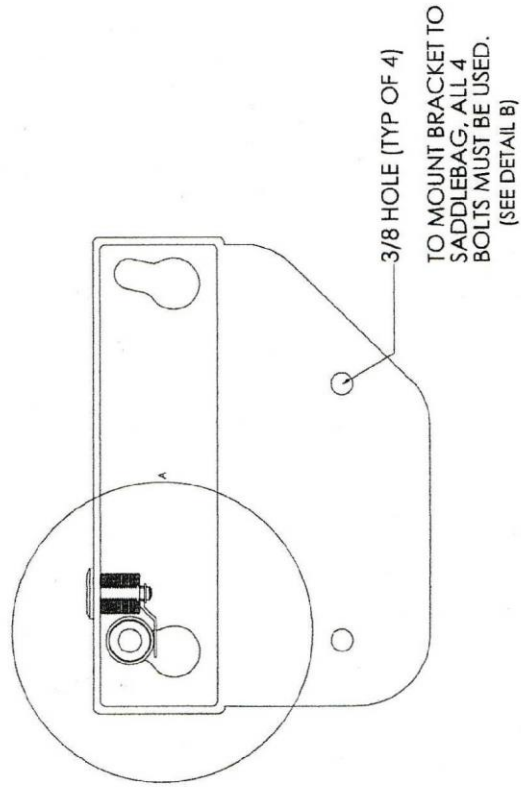
TYP BOLT/DOCKING POST



DETAIL A



DETAIL B



TYPICAL DETAILS