



## Turn Signal Relocation Kit

**Application**                      **Model STBMS-03**                      5/19/16

2009-2012 Harley Davidson Dyna Street Bob

Before you begin, read and understand these instructions and check to be sure all parts are accounted for.

<u>Qty.</u>	<u>Part Description</u>
1	Mounting Bracket
4	5/16 Black Button Head Bolts with Flat Washers and Nylon Lock Nuts
2	5/16 Hex Head Bolts with Flat and Lock Washers
2	Tear Drop Fillers
4	¼ Button Head Bolts with Nylon Lock Nuts

### Installation Instructions

**Note:** A licensed Harley Davidson technician should be consulted before beginning installation of the STBMS-03 Kit. The following instructions are intended to provide general instructions for the installation of the relocation kit.

1. Place the motorcycle on a safe and secure motorcycle jack. Unbolt the lower rear shock bolts and lower the tire to access the turn signals and wires. (See fig.1). Lowering the tire will make installation of the kit possible.
2. Access to the turn signal plugs are behind the plastic cover behind the tail light (See fig. 2). The electrical plugs can be removed and reinstalled after installation of the Mounting Bracket to avoid cutting the wires (See fig.7). The wires must be reinstalled in the plug exactly as removed.
3. Remove the rear turn signals from the motorcycle (See fig.3).
4. Install the rear turn signals onto the Mounting Bracket using the 5/16 hex head bolts with flat and lock washers (See fig.4).
5. Install the Mounting Bracket onto the motorcycle using the 5/16 button head bolts, 5/16 Flat washers, 5/16 nylok nuts and the tear drop filler. The Mounting Bracket will mount between the rear fender mounting bracket and the interior of the fender. The rear hole of the Mounting Bracket will slip over the boss in the rear fender mounting bracket. The tear drop filler and 5/16 button head bolts will mount into the rear turn signal recess and bolt to the Mounting Bracket with the 5/16 nylok nuts and 5/16 flat washers (See fig5). (Note: If Harley Davidson part# 53797-09, 60198-06, 60181-09 or 59421-06 Detachables Docking Hardware Kit is used a 3/8" hole may need to be drilled in the rear fender mounting bracket at the forward hole of the Mounting Bracket to allow for the forward 5/16" mounting bolt.)
6. Reinstall the wires through the fender. Reinstall the electrical plugs and reconnect to the bike. Route all electrical wires to assure clearance from tire. Install the license plate and frame onto the Mounting Bracket using the ¼ button head bolts with nylon lock nuts
7. Reinstall the rear shocks. Verify interior clearance from tire to bolts.

### Notice to Consumer

Neither the manufacturer nor the distributor or the retailer of the Mounting System makes any express warranties of any kind with respect to the Mounting System. Any implied warranty does not cover defects caused by modification or alterations of the Mounting System or caused by physical abuse to or misuse of the Mounting System or its use and/or operation in a manner contrary to the accompanying instructions. Failure to install and/or use the Mounting System in the manner described by the accompanying instructions shall render all warranties, expressed and/or implied, void and release the manufacturer, distributor and retailer from any and all liability arising from the use of the Mounting System.

**For product support, damaged or missing parts, please contact Great Bike Gear, Inc. at 866-521-3024  
Do not return product without prior authorization.**

**SEE REVERSE SIDE FOR ILLUSTRATIONS**



Figure 1  
Motorcycle on Jack



Figure 2  
Access to wire connections



Figure 3  
Rear Fender Mounting Bracket



Figure 4  
Turn Signals Installed on Mounting Bracket

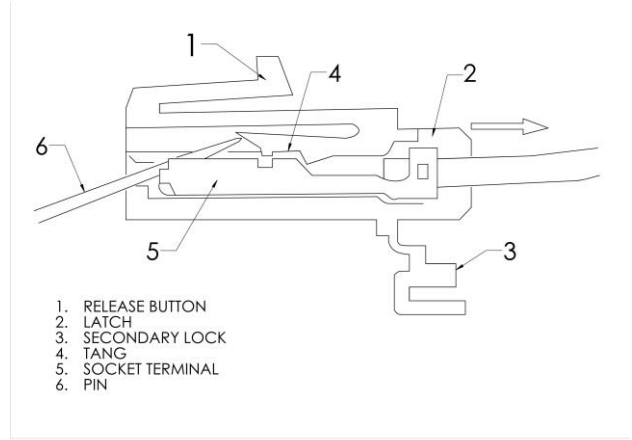


Figure 5



Figure 6  
Turn Signal/License Plate Relocation Kit installed

- Turn Signal Connector Removal**
1. After removal of the tail light lens, disconnect the turn signal connector from the electrical terminal by depressing the Release button. (1)
  2. Open the Secondary lock. (3) Note the wire color locations for correct reconnection.
  3. Using a Pin or small screw driver (6) release the Tang (4) from the Socket terminal (5) while gently pulling the wire from the connector.
  4. Reverse the procedure for reconnection.



1. RELEASE BUTTON
2. LATCH
3. SECONDARY LOCK
4. TANG
5. SOCKET TERMINAL
6. PIN

Figure 7

**SEE REVERSE SIDE FOR ILLUSTRATIONS**